

BELLAR RANGE

The perfect fit for every environment



bevisco
intelligent by design

GREGORY
the experts in ergonomics



BELLAR RANGE

Bellar Task



Bellar Executive



Bellar Timber



Bellar Castor



Bellar Four



Bellar Sled



Bellar Stool



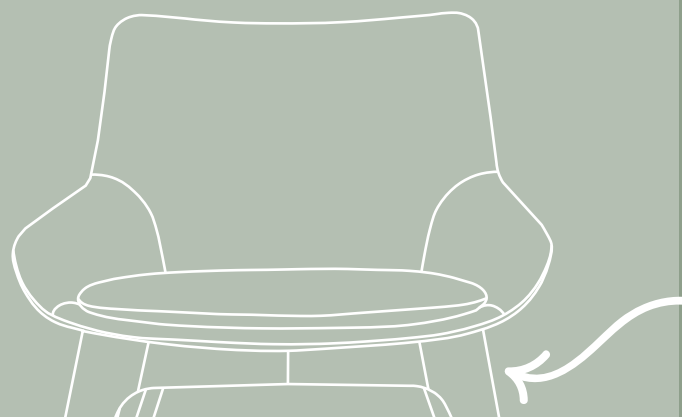
The modern workplace has evolved, with focuses on inspiring collaboration, flexible working and encouraging connectivity. The Bellar Range combines comfort, style and ergonomics. The perfect fit for every environment.

Bellar has been designed with flexibility in mind. The differentiated design allows it to fit into many environments and moments. From a self adjusting breathable mesh backed task chair to soft seating to suit every occasion.

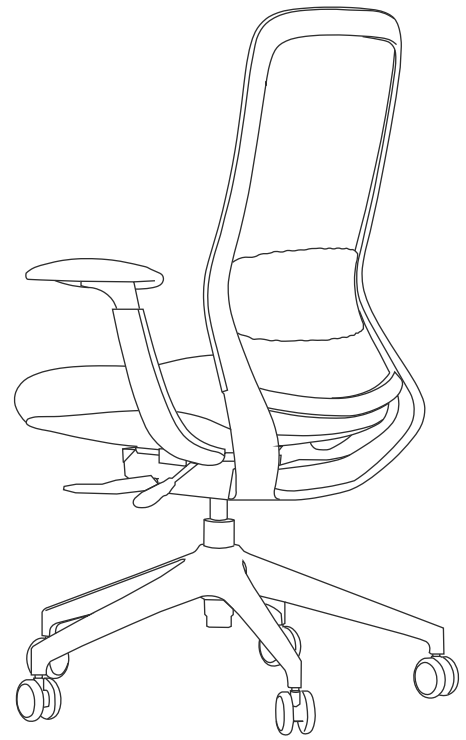
Gregory's Bellar Range's innovative design showcases an extensive range of frames that provide comfort and suit every environment. Options include integrated armrests and a variety of bases.

The unique design of the Bellar Task boasts a self adjusting compact synchro mechanism that is highly recommended by one of Australia's leading ergonomists and University lecturers.

Inspire collaboration with Bellar, the perfect fit for every environment.



The Bellar Range fuses modern seating technology with inspiration drawn from nature. The inspiration behind the range is drawn from the graceful posture of the swan. The unique curves continued throughout the Bellar Range creates a comfortable ergonomic experience for every user. The Bellar Range has been designed with the evolving office in mind, from flexible task and executive chair options through to breakout chairs and meeting chairs with a variety of style options.



FEATURES

FEATURES	TASK	SOFT	OPTIONAL
Breathable Mesh Back	•		
Flexing Lumbar Support	•		
Automatic Weight Adjustment	•		
Integrated Seat Slide	•		
3D Arm Design	•		
High Arch Star Base	•		
BIFMA Tested (136kg)	•		
Integrated Arms		•	•
Flat seat		•	•
Timber Base		•	
Sled Base		•	
Star Castor Base		•	
Four legged Base		•	

Premium Craftsmanship



Multiple Base Options

BELLAR TASK*

Tested to 136kg
weight capacity

OPTIONAL HEADREST
Bellar Executive with adjustable
headrest

4D PU ARMEST
Sleek and comfortable
4D polyurethane
adjustable armrest

WEIGHT ADJUSTING
MECHANISM
Self adjusting floating mechanism
with 4 locking positions ideal for
multi-person usage, your body
controls the settings

ALLOY BASE
Shown with optional
alloy base



COLOUR OPTIONS

Seat fabric options (reupholstery available)



Lumbar options

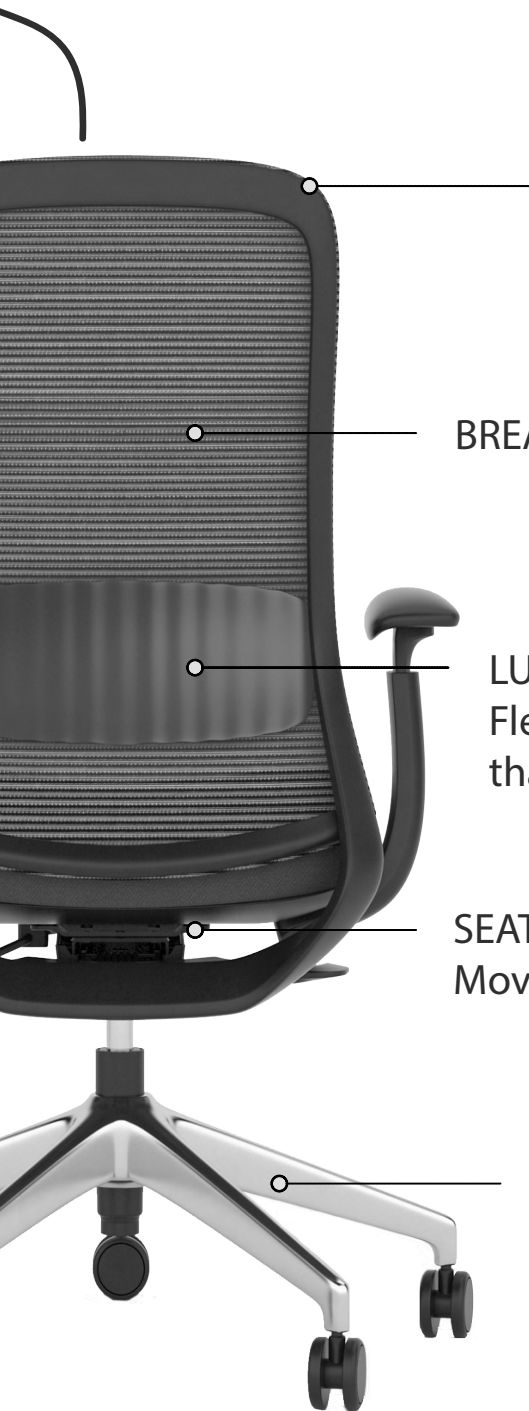


OUR GUARANTEE

10 years warranty
BIFMA 136kg tested

Sustainability
• Post-life recycling

Executive Option includes headrest



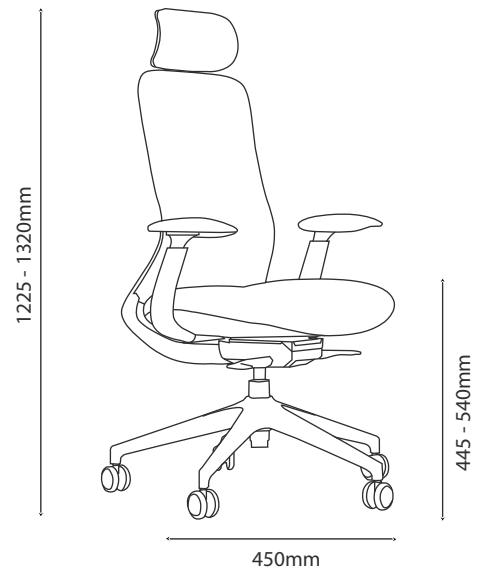
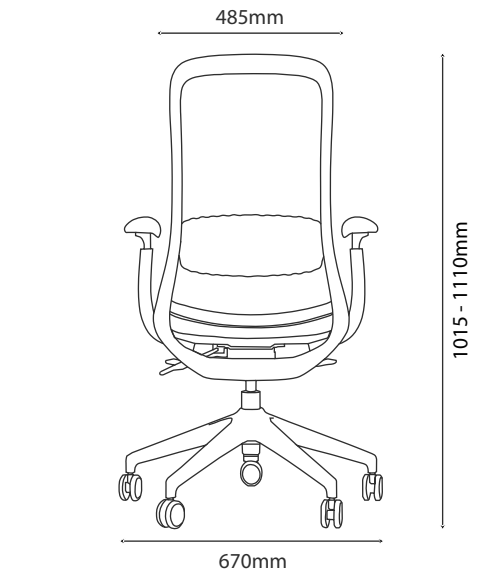
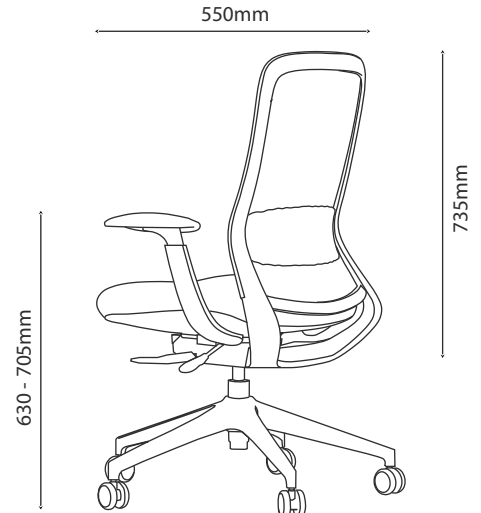
TWO TRIMS AVAILABLE
Black and grey trim options

BREATHABLE MESH

LUMBAR SUPPORT
Flexing lumbar support that allows breathability

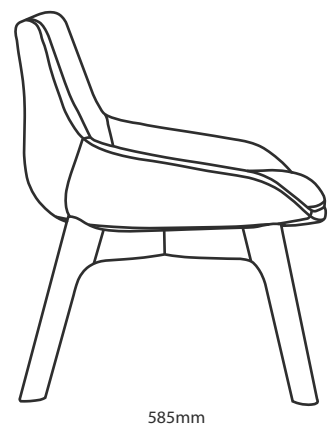
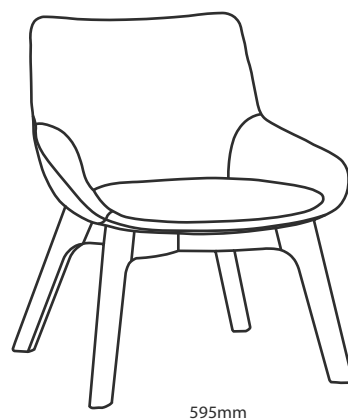
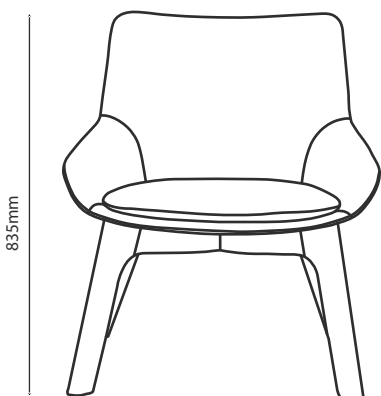
SEAT DEPTH ADJUST
Movement within 53mm

HIGH ARCH BASE
Contemporary high arch star base



BELLAR TIMBER

Tested to 120kg weight capacity



BELLAR CASTOR



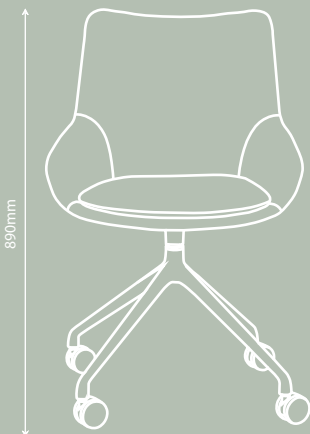
CURVED BACK
Elegant curved back
with craftsman level
upholstery



OPTIONAL ARMS
Option of integrated
arms

HIGH ARCH BASE
Contemporary high
arch star base

Tested to 120kg
weight capacity



BELLAR FOUR

Tested to 120kg weight capacity

CURVED BACK

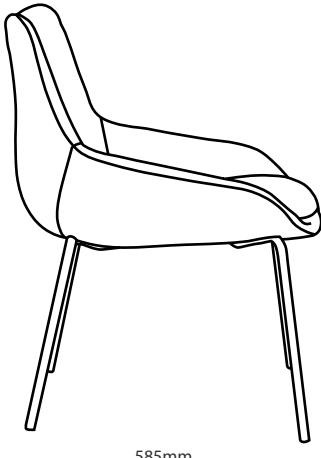
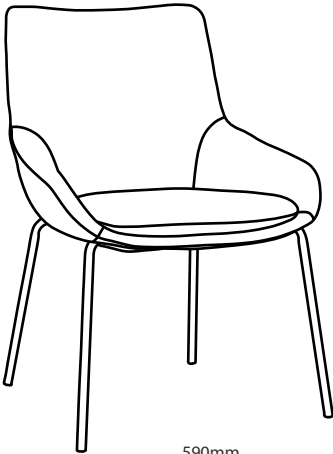
Elegant curved back with craftsman level upholstery

OPTIONAL ARMS

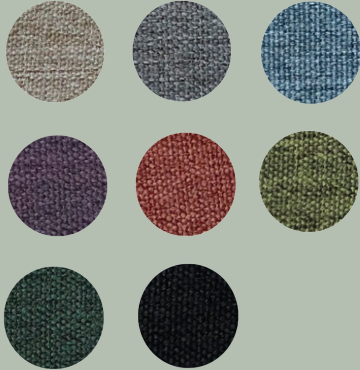
Option of integrated arms

FOUR LEGGED

Four legged metal base



HOUSE COLOUR OPTIONS



*Or available in your custom fabrics

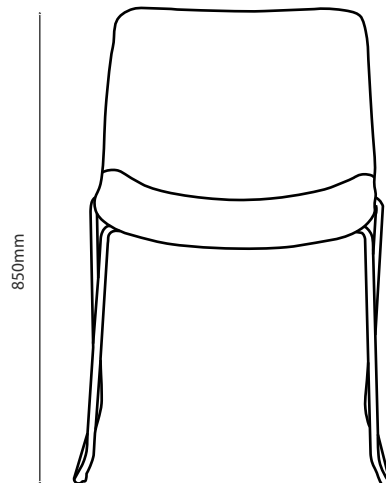
BELLAR SLED

CURVED BACK
Elegant curved back
with craftsman level
upholstery

OPTIONAL ARMS
Option of integrated
arms

SLED BASE
Sled metal base

Tested to 120kg
weight capacity



BELLAR STOOL

LOW CURVED BACK
For ultimate safety
and comfort at high
benches

ROD STRUCTURE
SLED BASE
For optimal stability

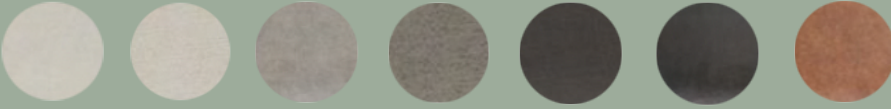
BASE COLOUR
Black or matching
polypropylene
shell colours

FOOTREST
Integrated footrest
design



COLOUR OPTIONS

Bellar Stool Fabric Options



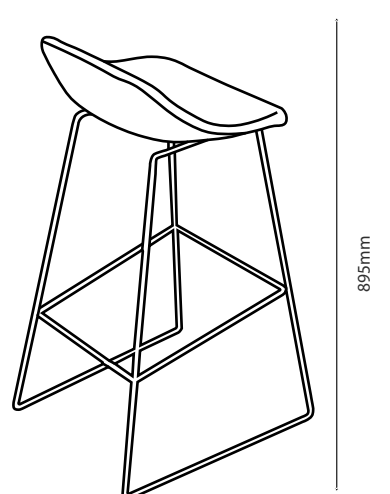
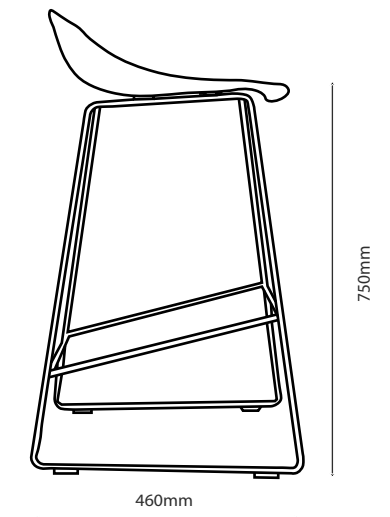
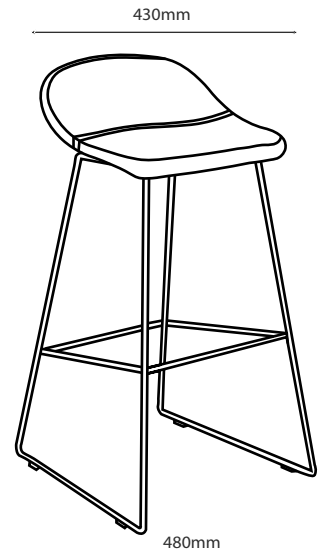
Bellar Stool Polypropylene Options



Tested to 120kg weight capacity

CONTOURED SEAT
Contoured seat design from maximum comfort and ergonomic support

SHELL OPTIONS
Fabric upholstery or polypropylene base options





bevisco
intelligent by design

111 Margaret Street,
Brisbane, QLD 4000

74 Yass Road,
Queanbeyan, (ACT) 2620

Unit 4, 2 Southridge Street,
Eastern Creek, NSW 2766

Level 10, 387 George Street,
Sydney, NSW 2000

02 8808 0455
sales@bevisco.com.au
www.bevisco.com.au